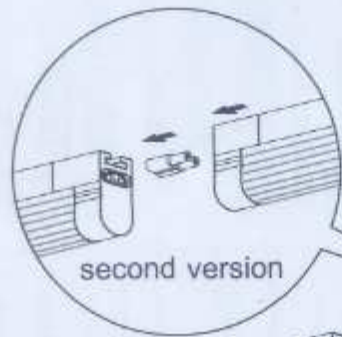
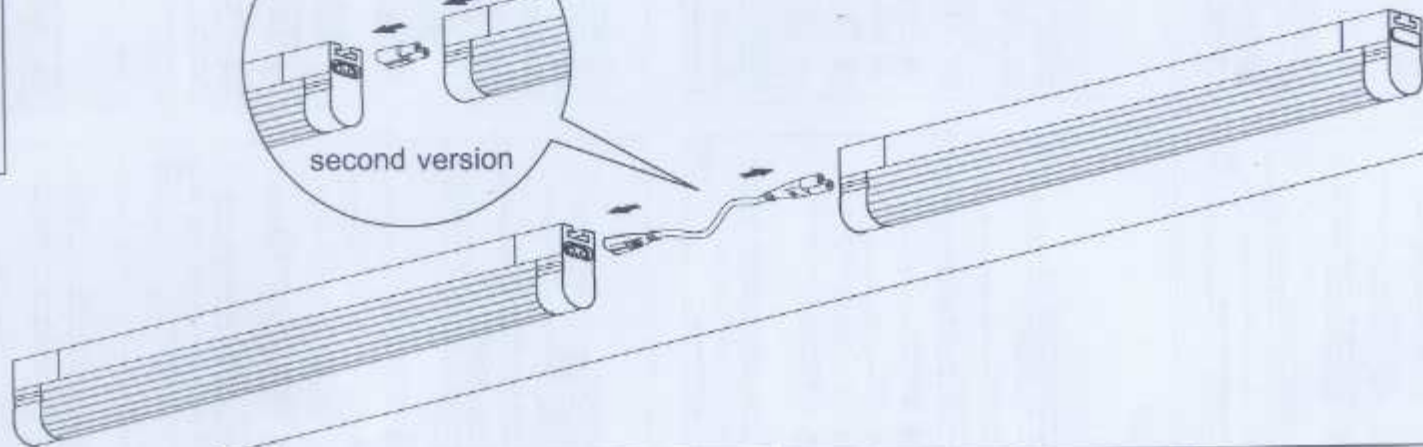


A



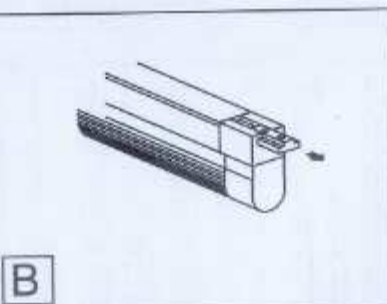
second version



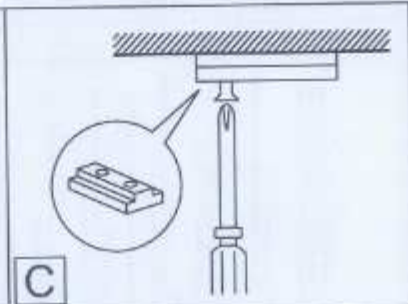
G



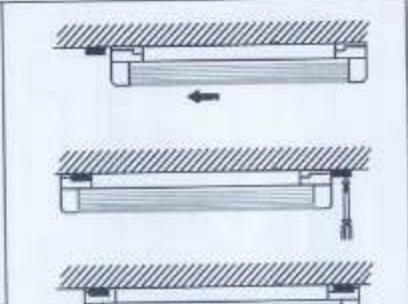
ON



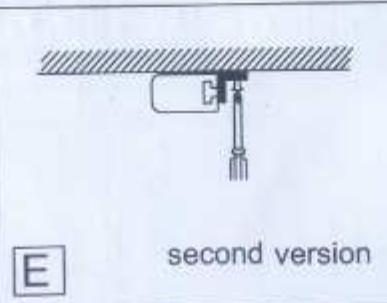
B



C

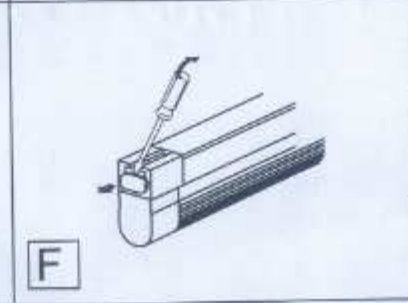


D

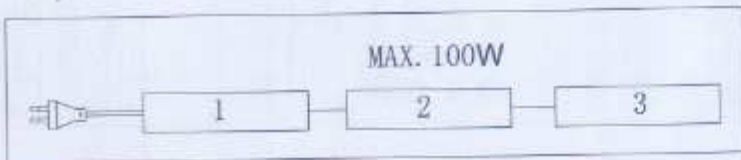


second version

E



F



MAX. 100W

1

2

3